

POWER TAILGATE LOCK

Instructions Model PL8350

Parts Included

Power Lock
Short Wiring Cable
Long Wiring Cable
Wire Connectors
Cable Ties

DODGE RAM 1500

2009 & Up

New Body Style

DODGE RAM 2500/3500 2009/10 & Up

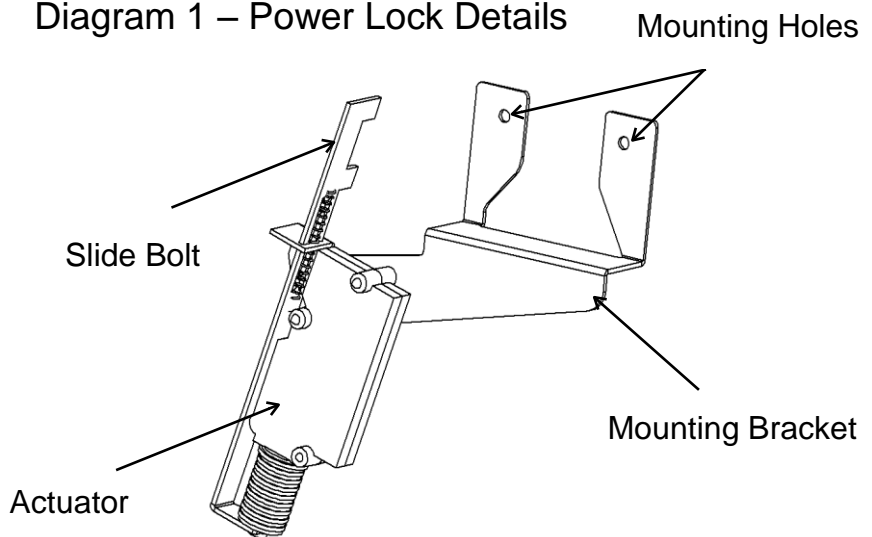
New Body Style

Tools Required

#10 Torx Driver
10 MM socket
Ratchet
Ratchet Extension
Pliers

For the latest instructions please
visit www.popandlock.net

Diagram 1 – Power Lock Details

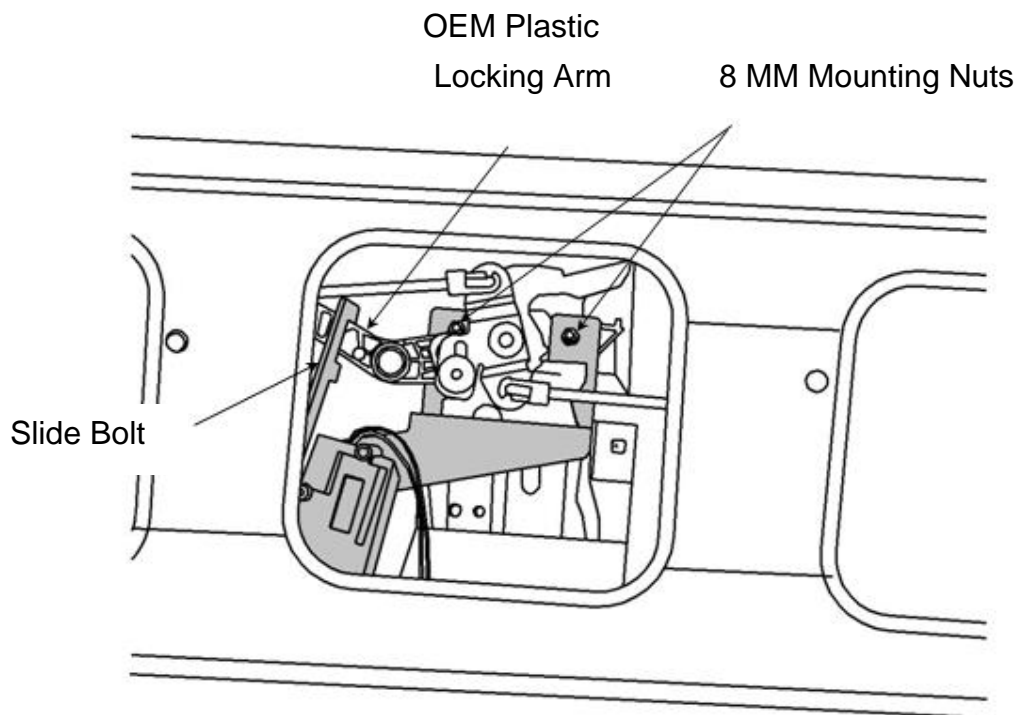


1. Open the tailgate and if applicable, remove the tailgate bed-liner.
2. Use a #10 Torx driver, remove the 8 screws holding the access panel.
3. Remove the access panel and set aside.
4. Remove the two 8mm nuts from the inside of the tailgate holding the handle assembly. The latch rods do not have to be removed from the handle assembly.
5. Slide the PL8350 POWER LOCK through one of the access openings on the passenger's side of the tailgate and slip the bracket over the two studs of the handle assembly.
6. Make sure that the Slide Bolt opening is centered over the OEM plastic locking arm. See Diagram 2 for details.
7. Replace the two 8mm nuts over the studs and tighten while ensuring proper function of the POWER LOCK by manually moving the Slide Bolt up and down.
8. Using the OEM ignition key, lock and unlock the manual lock to ensure that the POWER LOCK is not interfering with the manual locking mechanism.
9. Tape the connector end of the short wiring harness to a coat hanger or electrical fish tape. Slip it through the top access hole down to the bottom of the tailgate and through the drain hole.
10. Connect the short wiring harness to the POWER LOCK. Wherever possible, use cable ties to fasten the harness preventing it from moving.
11. Connect the other end of the short wiring harness to the long wiring harness and locate the connector so that it is accessible for tailgate removal. Make sure that the tailgate cannot pinch the harness when opened or closed.

POP & LOCK®

12. Run the long wiring harness underneath the truck driver's side, following the OEM body harness to the firewall, into the fender well and to the engine compartment. Make sure to use enough cable ties to prevent the wiring harness from moving.
13. Run the long wiring harness through the firewall of the truck. Please try to follow the OEM wiring routes if possible.
14. Locate the **Tan/White stripe** and **Tan/Green stripe or the Orange/Grey stripe and Lime Green** wires in the driver side kick panel in the larger wiring harness.
15. Install the wire connectors on each wire and slide the long wire harness into the connectors and squeeze shut.
16. Test the POWER LOCK by locking and unlocking the power door locks. If the POWER LOCK is in reversed order to the vehicle power lock, then reverse the two wires from the long harness wires under the dash.
17. Re-install the access panel on the tailgate and the tailgate bed-liner if applicable.

Diagram 2 – Assembled View



POP & LOCK®

LIMITED WARRANTY TERMS AND CONDITIONS

- (1) **Installation.** Pop & Lock™, LLC (and Pop & Lock™ Corporation) is not responsible for installing the Pop & Lock™ or for the harm suffered by any person as a result installing it.
- (2) **Warranties.**
- Customer acknowledges that it is unreasonable to believe that any device whatever will prevent a theft in the case of every attempt and that the most that can be expected from a so-called anti-theft or security device is that it will deter many thieves.
 - POP & LOCK™ LLC. (and Pop & Lock™ Corporation) MAKES, AND CUSTOMER RECEIVES, NO WARRANTY, EXPRESSED OR IMPLIED, EXCEPT THE WARRANTIES OF TITLE TO THE POP & LOCK™ AND THEIR MERCHANTABILITY, PARTICULARLY NO WARRANTY OF FITNESS FOR A PARTICULAR USE OR PURPOSE OR AGAINST INFRINGEMENT.**
 - As Customer's only remedy, Pop & Lock™, LLC (and Pop & Lock™ Corporation) will repair or replace, at its option and without charge, any lock that is defective in material or workmanship when received by Customer and is returned to Pop & Lock™ LLC (and Pop & Lock™ Corporation), FOB Pop & Lock™ Corporation's offices, within one (1) year after it's receipt by the Customer. Pop & Lock LLC will ship all replacement, or repaired, Locks to Customer, FOB Pop & Lock™'s shipping point.
 - Factory support is only available for Pop & Lock™ products purchased as **new** through an Authorized Pop & Lock™ dealer.

Please Note: Pop & Lock™ Products purchased on auction sites such as Ebay, Amazon and Craigslist, to name a few, will not be covered under factory warranty under any circumstance. Pop & Lock™, LLC (and Pop & Lock™ Corporation) is unable to verify whether products sold through Auction Sites are new, used, or refurbished, and as such, Pop & Lock, LLC (and Pop & Lock™ Corporation) is unable to warranty such purchases. Pop & Lock, LLC advises using extreme caution when buying through auction sites as you'll be doing so at your own risk.

- (3) **No Liability.** Pop & Lock™ Corporation is not liable for any loss or damage claimed by Customer or any third person to have been suffered or incurred as a result or, or related to, the Locks purchased under this Agreement, regardless of the circumstances or form of action, except any bodily injury or death for which Pop & Lock™ is liable under products-liability law. Without limiting the generality of the foregoing, in no event will Pop & Lock™ LLC be liable to Customer for any indirect, special, or consequential damages, regardless of the circumstances or the cause of action, particularly not for the value of a vehicle, or any other money damages in the event that a tailgate is stolen either notwithstanding the use of a Pop & Lock™ or when it has been returned for repair or replacement.

END OF TERMS AND CONDITIONS

POP & LOCK LLC 1271 CONTRACT DRIVE GREEN BAY, WI USA 54304

Additional Install Instructions and answers to technical questions can be found on our website at www.popandlock.net or by calling

**Technical Support 1-800-342-5911 option 1
Monday – Friday 8:30am to 4:30pm CST**

Pop and Lock's limited warranty expires one (1) year after date of purchase.

Proof of purchase is required for warranty claims. Please submit a scanned copy or electronic image/photo of your receipt through any of the following methods:

- E-mail: technicalsupport@popandlock.net
- Fax: 855-491-5911
- Mail: 1271 Contract Ave, Green Bay, Wisconsin (USA) 54304

Please be sure to include:

- Name, address and phone number
- Model and year of truck
- Model/Part number of the lock
- Brief description of the problem

