

### Contents:

Lock Assembly, 2 keys  
Mounting Insert  
6 MM Hex Bolt  
6-32 Flat Head Screw  
Instructions, Warranty Card

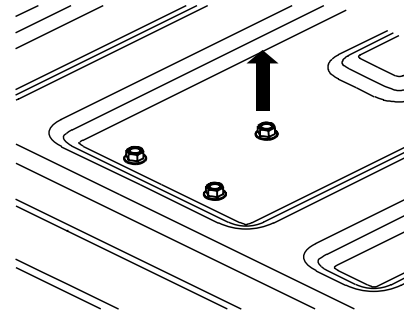
### Tools Required:

10 and 13 MM Socket  
Phillips Head Screw Driver

### Tech Support:

Call 1-800-342-5911

For the latest instructions please  
visit [www.popandlock.net](http://www.popandlock.net)

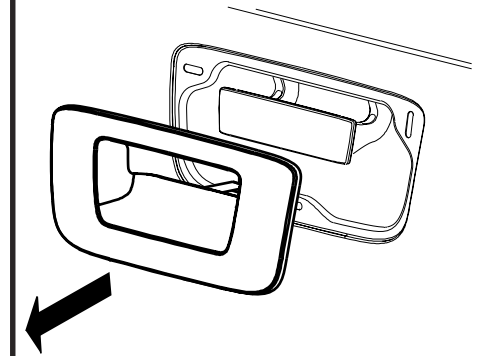


1.

Lower the tailgate and remove the center 8 MM mounting bolt holding the handle and bezel.

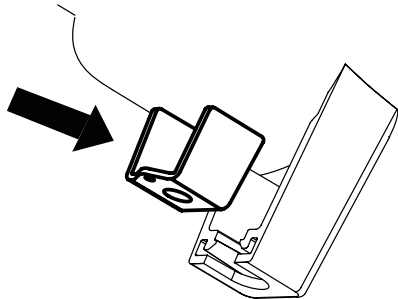
Loosen the other two bolts 3/8" to 1/2".

Note: Bedliner panel may have to be removed.



2.

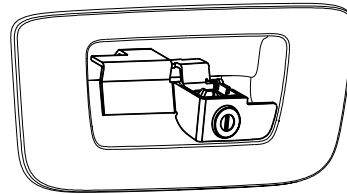
Close the tailgate and carefully pull the bezel away from the tailgate working against the three spring clips.



3.

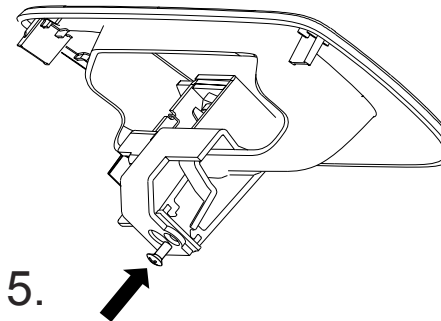
Turn the bezel around and pull the metal attachment plate out of the mounting boss.

Push the supplied mounting insert into place as shown.



4.

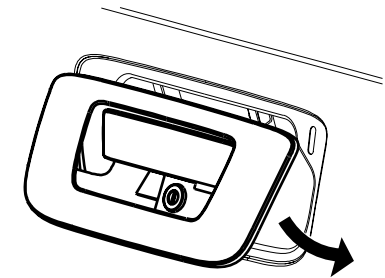
Place the POP&LOCK into the lower right hand corner of the bezel.



5.

Turn the bezel around and insert the 6-32 screw as shown. Tighten it to secure the POP&LOCK in place making sure that it fits tightly in the corner of the bezel.

Do not over tighten the 6-32 screw.



6.

Tilt the bezel down, pull the handle as far as it will go out of the tailgate and slide the bezel over it. Push the bezel in until the spring clips snap into the tailgate. Insert the supplied 6 MM bolt in the center mounting hole and tighten (do not over-tighten screw), then tighten the two 8 MM mounting bolts, making sure that the handle is straight.

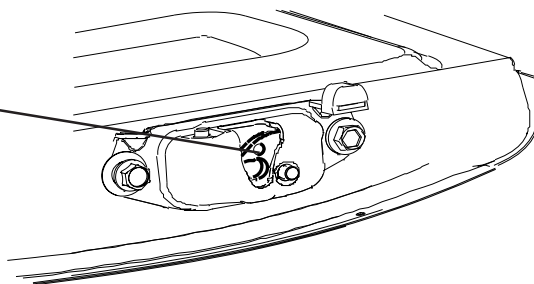
Close latches and test lock for smooth operation - see Tech Note attached

**Important Note:** The PL1300 must be installed with the latches in the CLOSED position. When the handle is pulled and the tailgate is lowered, the latches are in the OPEN position. They must be closed manually as shown below.

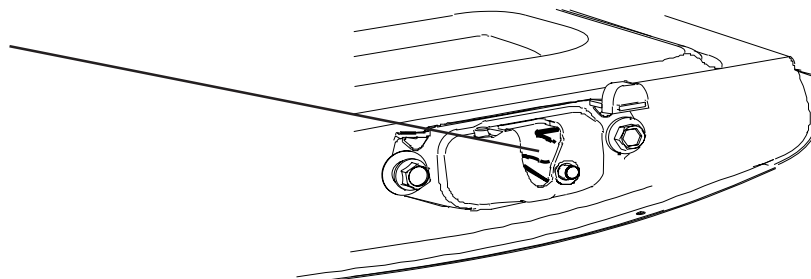
For Tech Support call 800 342 5911

---

Latch CLOSED

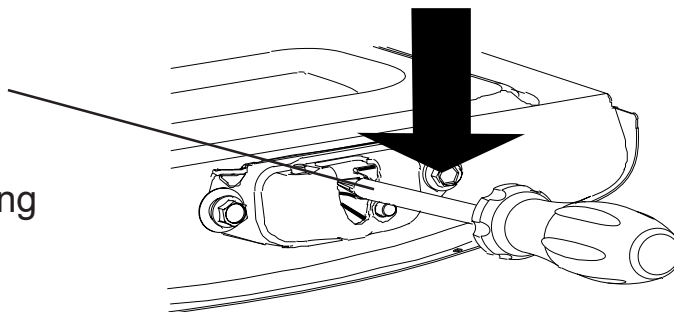


Latch OPEN



Insert screwdriver and push DOWN to CLOSE and install the PL1300.

After installation, remember to pull the handle to OPEN the latches before closing the tailgate



# Tailgate Lock PL1300

# Tech Note

If you install the lock on your vehicle and it does **NOT** prevent the tailgate from opening when in the locked position, an adjustment is required. Remove the lock, using a vice and a pair of heavy pliers, open the 2 angles marked 'A' and 'B' as per the diagram below. By opening these 2 angles by a couple of degrees, the 'ears' of the rocker arm should sit higher, allowing the lock to stop the tailgate from opening. If the first adjustment is not successful, try again.

